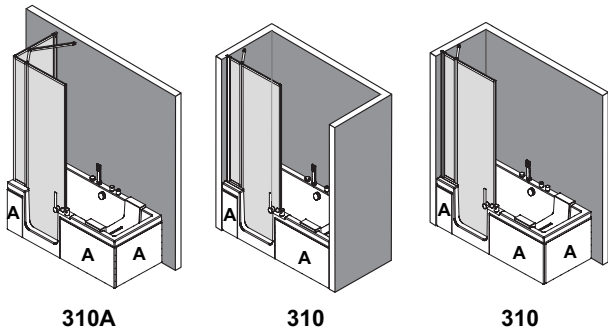


#### Standard bathtub

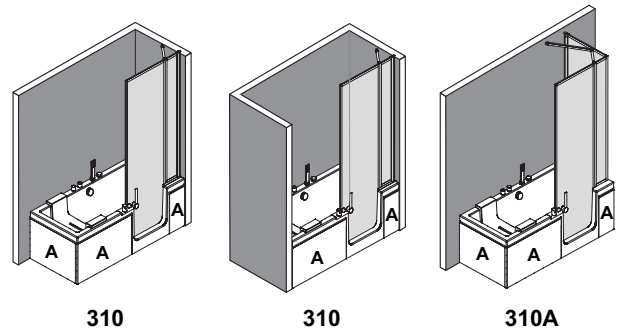


310A

310

310

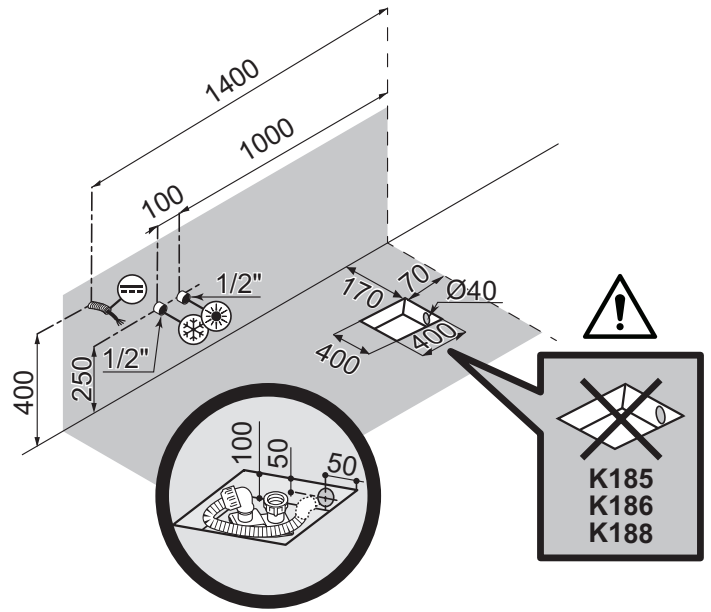
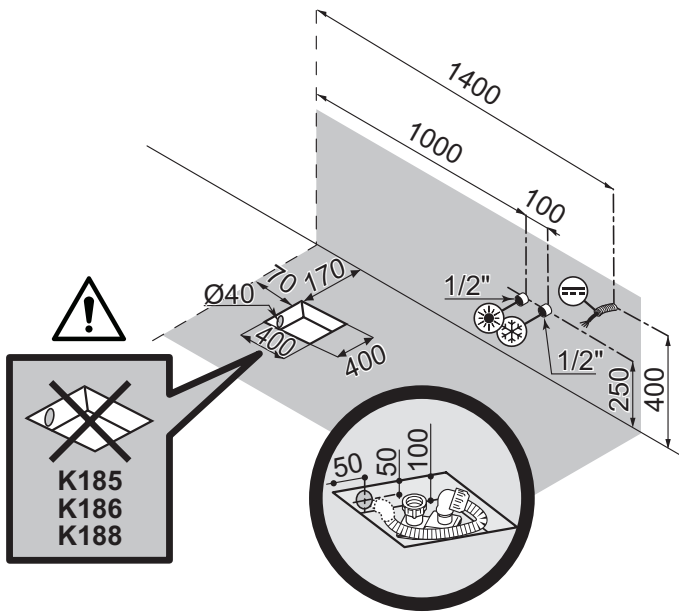
#### Bathtub turned 180°



310

310

310A



Measurements in mm.

- ☀ - Hot water connection for 1/2" tap fittings
- ❄ - Cold water connection for 1/2" tap fittings"

- ⚡ - DC electrical connection (\*)
- A - Maximum floor tile thickness for tiling 9 mm

**N.B. Measurements must be taken once the floors and walls are finished. Envisage a clearance of at least 40 cm in front of the removable panels.**

The product has been designed for installation on masonry walls. If it is necessary to secure it to different types of walls (wood, plasterboard), adequately reinforce the wall to guarantee solid fixing.

**INSTALLATION WITH THREE SIDES AGAINST THE WALL:** prepare a recess of width equal to the corresponding dimension of the product, plus 1.5 cm.

	Net Weight kg	Floor Load kg/m <sup>2</sup>	Delivery Weight kg	Delivery Dimensions cm
310	83	425	82	179 x 86 x 78 (1x)
			42	206 x 74 x 15 (1x)
310A	103	425	82	179 x 86 x 78 (1x)
			42	206 x 74 x 15 (1x)
			25	162 x 74 x 8 (1x)

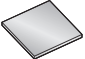
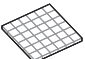
#### HYDRAULIC CHARACTERISTICS

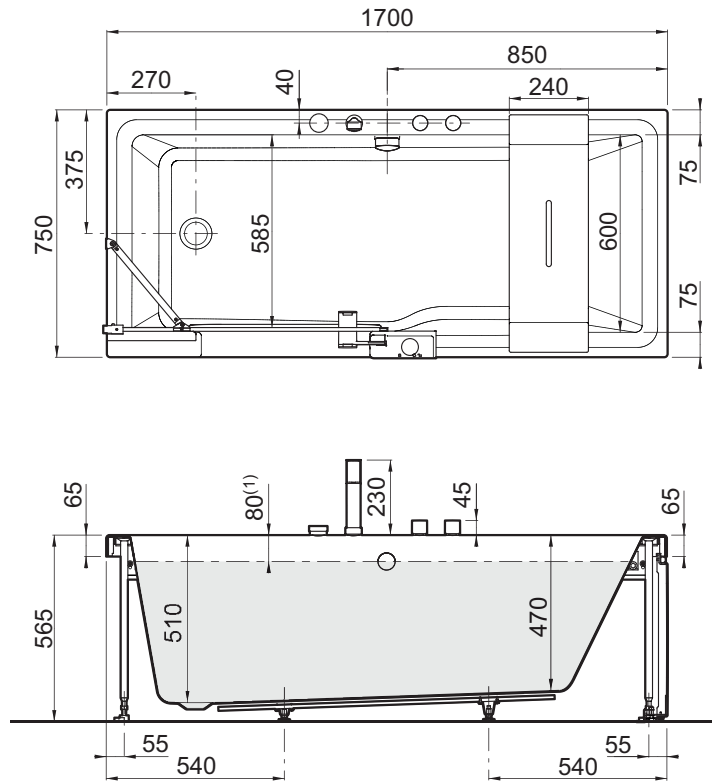
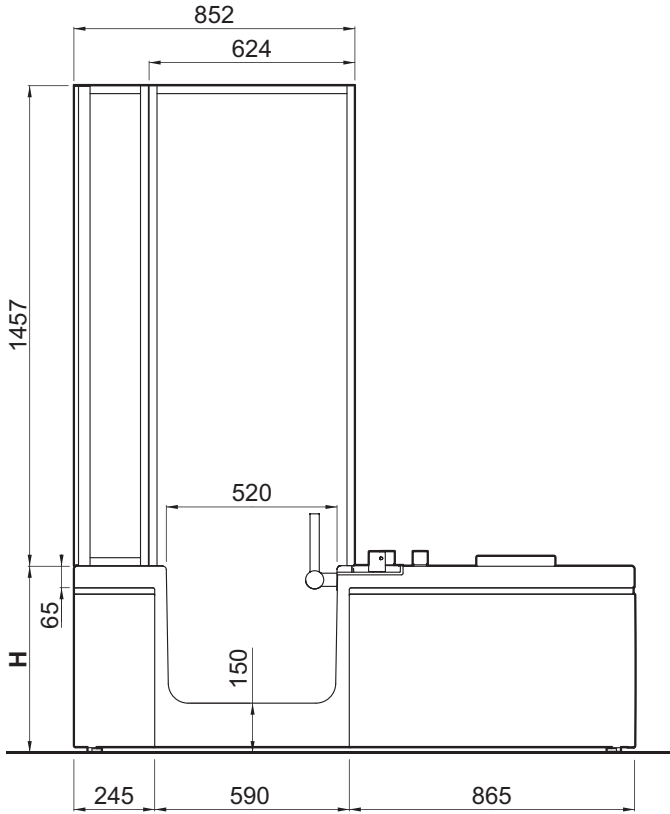
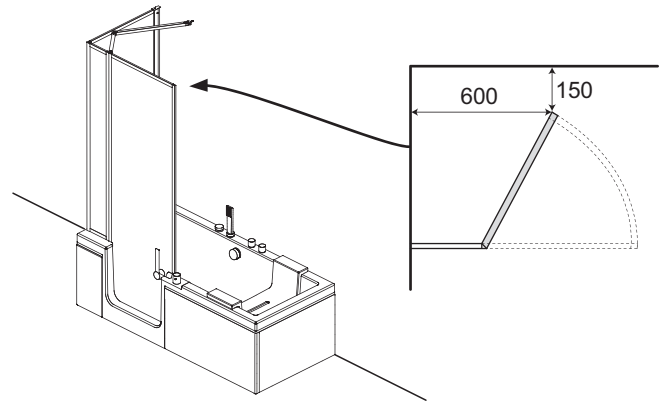
Water capacity (1) lt	Emptying time (2) min.	Overflow water flow rate l/min.
310	10	32

#### ELECTRICAL CHARACTERISTICS

	V	Installed Power W
K228 (optional)	12	25

(1) At overflow level - (2) Measurement taken at Teuco siphon outlet, with the bathtub filled up to overflow level.

	H = 565 ± 5
	H = 575 ± 5



(1) At overflow level

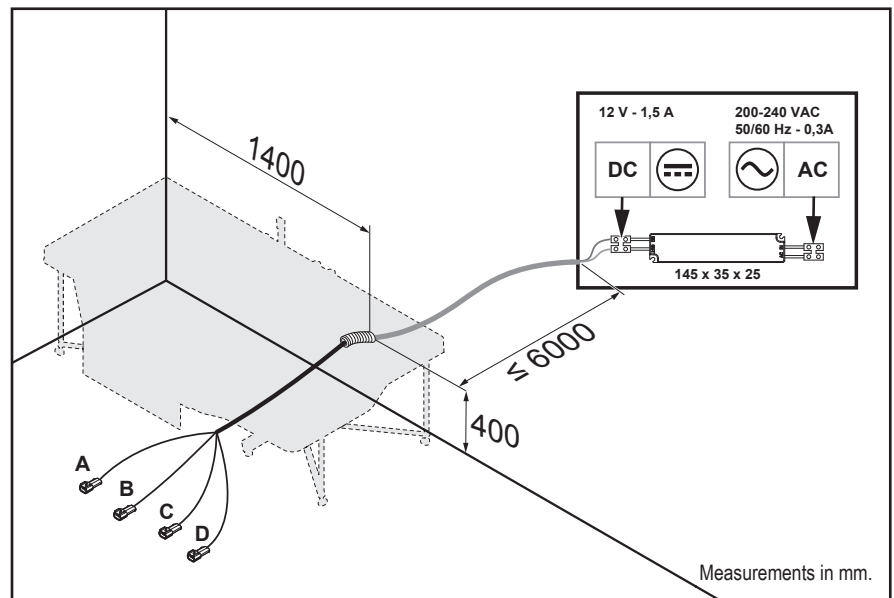
Measurements in mm.

## HYDRAULIC INSTALLATION

When the water from the mains is hard water (>200 mg/l), the installation of a water-softener is advisable to ensure the efficient whirlpool operation.

**BATHTUBS WITH COMBINED OVERFLOW AND FILLER SPOUT**  
A backflow prevention device must be installed, in compliance with the applicable regulations in the country of destination.

## (\* ) ELECTRICAL INSTALLATION



Measurements in mm.